

Kor-N-Seal® II

206 Series Pipe-to-Manhole Connector

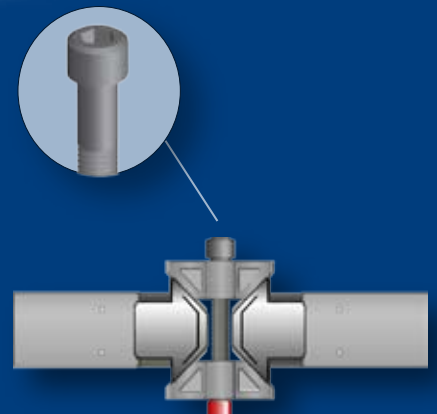


NEW CORRUGATED RUBBER DESIGN

- *Corrugated profile for easier installation and positioning of the pipe in trench*
- *Designed for larger pipe sizes 18" - 51"*
- *Meets the specifications of ASTM C923*



The new 206 Series Connector is designed with an Allen Head Wedge Bolt for easier installation of the connector into the manhole.



Kor-N-Seal II

206 Series Pipe-to-Manhole Connector

- To fit larger sized pipe into smaller diameter manholes, please refer to our Kor-N-Seal II 306 Series Connectors.

- Using Corrugated Pipe. Adapters are required when using Corrugated Pipe. Refer to the Corrugated Pipe Adapter Data Sheet for details.

NOMINAL HOLE SIZE	MODEL NUMBER	PIPE O.D. RANGE	MINIMUM MANHOLE SIZE REQUIRED
18"	S206-18L	15.000 - 15.625	48/4
20"	S206-20	15.625 - 17.000	48/4
20"	S206-20L	17.000 - 17.625	48/4
22"	S206-22	17.625 - 19.000	48/4
22"	S206-22L	19.000 - 19.625	48/4
24"	S206-24A	18.000 - 19.500	48/5
24"	S206-24	19.625 - 21.000	48/5
24"	S206-24L	21.000 - 21.625	48/5
26"	S206-26	21.625 - 23.000	48/5
26"	S206-26L	23.000 - 23.625	48/5
28"	S206-28	23.625 - 25.000	48/5
28"	S206-28L	25.000 - 25.625	48/5
30"	S206-30	25.625 - 27.000	48/6
30"	S206-30L	27.000 - 27.625	48/6
32"	S206-32	27.625 - 29.000	60/6
32"	S206-32L	29.000 - 29.625	60/6
34"	S206-34	29.625 - 31.000	60/6
34"	S206-34L	31.000 - 31.625	60/6
36"	S206-36	31.625 - 33.000	60/7
36"	S206-36L	33.000 - 33.625	60/7
38"	S206-38	33.625 - 35.000	60/7
38"	S206-38L	35.000 - 35.625	60/7
40"	S206-40	35.625 - 37.000	60/8
40"	S206-40L	37.000 - 37.625	60/8
42"	S206-42	37.625 - 39.000	60/8
42"	S206-42L	39.000 - 39.625	60/8
44"	S206-44	39.625 - 41.000	72/8
44"	S206-44L	41.000 - 41.625	72/8
46"	S206-46	41.625 - 43.000	84/8
46"	S206-46L	43.000 - 43.625	84/8
48"	S206-48	43.625 - 45.000	84/8
48"	S206-48L	45.000 - 45.625	84/8
50"	S206-50	45.000 - 45.625	84/9
50"	S206-50L	45.625 - 47.000	84/9
52"	S206-52	47.000 - 47.625	84/9
52"	S206-52L	47.625 - 49.000	84/9
54"	S206-54	49.000 - 49.625	96/8.5
54"	S206-54L	49.625 - 51.000	96/8.5

Larger sizes quoted upon request.

